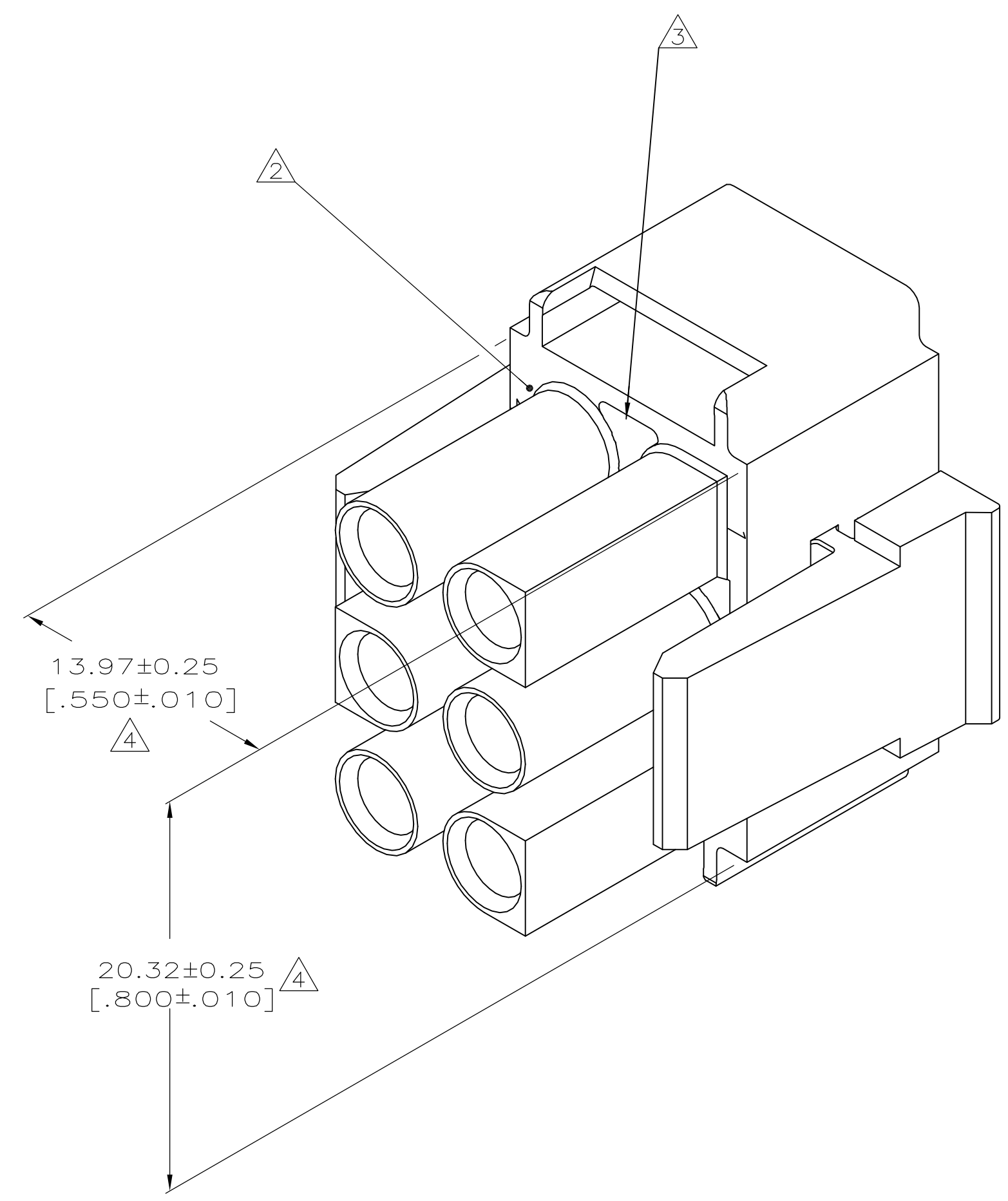


LOC		DIST		REVISIONS			
REV	DATE	BY	CHK	DESCRIPTION	DATE	OWN	APVD
H	3-12-97	EC	OL30	REV PER EC 0L30-0036-97	3-12-97	JH	RS
J	10APR15	ECR	14-017065	REVISED PER ECR-14-017065	10APR15	AV	DZ



- MUST BE ASSEMBLED WITH PLUG REAR P/N 770038-1 BEFORE MATING. KIT P/N IS 770020-1.
- AMP LOGO LOCATED THIS SURFACE.
- NEW MOLD CONSTRUCTION PROVIDES MATERIAL REDUCTION CORING AT BASE OF SILOS WITH NO CORING AS OPTIONAL.
- DIMENSION INDICATED IS AS MOLDED. ADDITIONAL GROWTH DUE TO SUBSEQUENT MOISTURE ABSORPTION MAY OCCUR.
- DIMENSIONS IN BRACKETS ARE IN INCHES.

770037-1
PART NUMBER

THIS DRAWING IS A CONTROLLED DOCUMENT.		DWN K. SALMON	1-15-92	TE Connectivity
DIMENSIONS: MM [INCHES]		CHK R. SWING	1-15-92	
	0 PLC	± -	APVD M. TRULL	NAME PLUG FRONT, 6 CIRCUIT, UNIVERSAL MATE-N-LOK II™
	1 PLC	± -	PRODUCT SPEC	
	2 PLC	± -	APPLICATION SPEC	
	3 PLC	± 0.13 [.005]		
	4 PLC	± -		
	ANGLES	± -		
MATERIAL NYLON,UL94V-0,	FINISH -	WEIGHT -	SIZE A1	CAGE CODE 00779
CUSTOMER DRAWING			SCALE 5:1	SHEET 1 OF 1 REV J